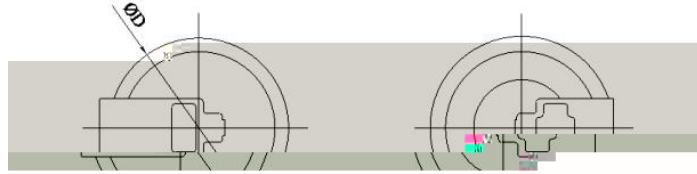
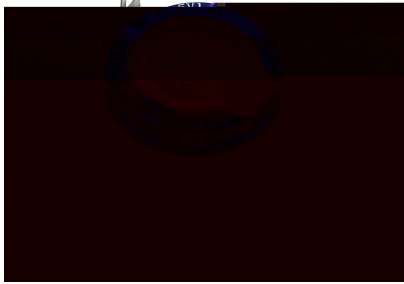




C

E

G E-5 5-105 C/H/



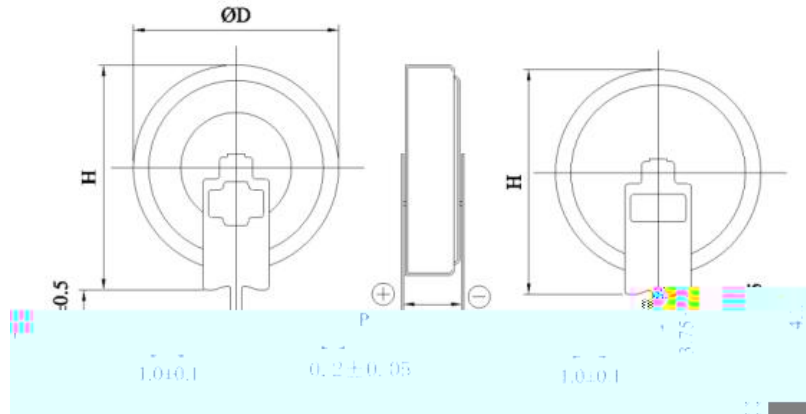
0.2 ± 0.05

1.0:1.0

: H

I	C	I	C

	()		D	(L H)	



0.5

1.0:1.0

0.2 ± 0.05

1.0:1.0

:

I	C	I	C

	()		D	(L H)	

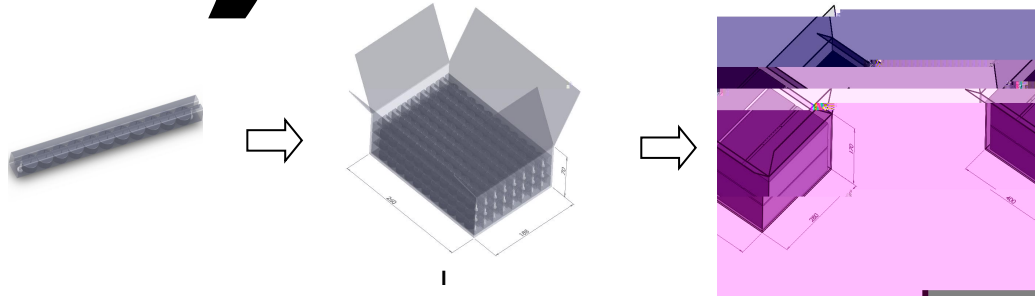


C

E

G E-5 5-105 C/H/

❖



❖ H

G E-5 5-105 C/H/ 1000

❖ H

G

1

2A

G

□ □

(